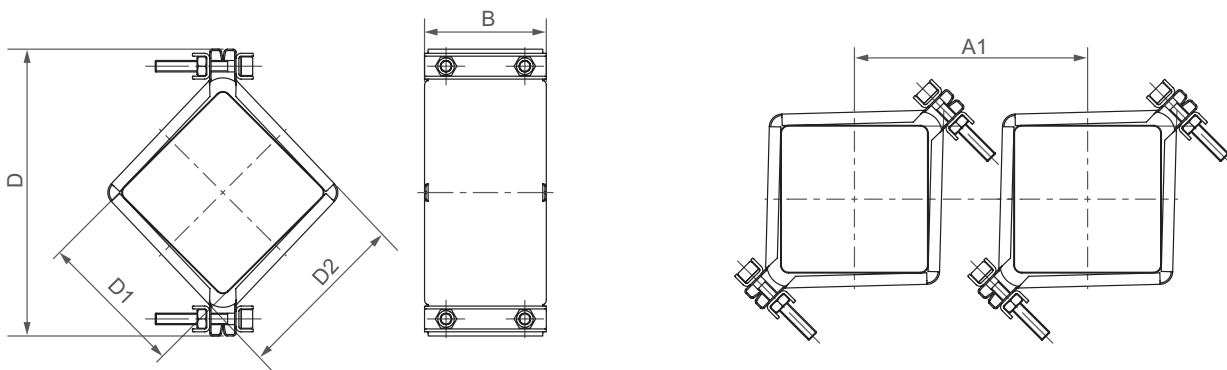


STRAUB-SQUARE-FLEX

Components / Materials	
Casing	AISI 316 L (wall-thickness 1.0mm)
Bolts	A4-80
Bars	AISI 316 L

Sealing sleeve	Temp.: -20°C up to +100°C
EPDM	Medium: all qualities of water, waste water, air, solids and chemical products



Dimension [mm]	PS [bar]	D [mm]	D1 [mm]	D2 [mm]	B [mm]	A1 [mm]	Torque rate [Nm]	Allen head [mm]	Thread M...
60	4.0	142	60	83	85	125	10	6	8
80	4.0	171	80	103	85	140	10	6	8
100	4.0	200	100	123	85	170	10	6	8

V2_150816

Typing errors may occur. Technical details are subject to change.

REMARKS:

- Follow fitting / disassembly instructions
- Other sealing sleeves on request