

THE ALL ROUND REPAIR *COUPLING*

STRAUB-REP-FLEX

The coupling for the reliably repairing of laterally broken pipes, cracks and the leakage of pipes caused by corrosion.

The STRAUB-REP-FLEX is intended to be used for the fast and reliably repairing of broken pipes and the leakage of water/drinking water pipes, as well as gas- and oilpipes caused by corrosion.

The proven STRAUB sealing lip system provides dependable and durable application on pipes of various materials such as steel, cast iron, ductile cast iron, fibre cement, PVC or PE.

In addition, two different materials of the same DN can be connected using STRAUB-REP-FLEX.

The EPDM sealing sleeve meets all requirements of SVGW, ÖVGW, WRC and NSF as well as DVGW W270 and KTW.



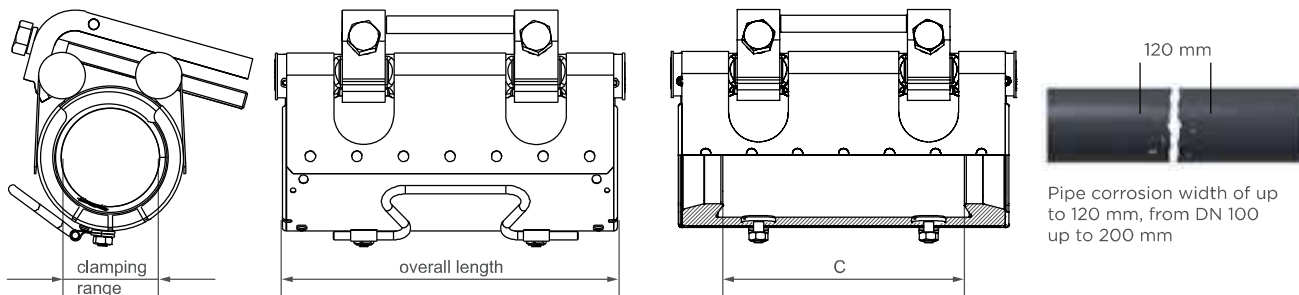
-
- Outside diameter: DN 40 up to DN 400
 - Temperature: -20°C up to +100°C
 - Sealing sleeve: EPDM, NBR
-



Damaged area on a pipe; quickly and reliably sealed with a STRAUB-REP-FLEX coupling.

Components	Materials
Jacket sheet	AISI 304
Bolts	AISI 304
Bars	AISI 304

Sealing sleeve EPDM	Temp.: -20°C up to +100°C Medium: all qualities of water, waste water, air, solids and chemical products
Sealing sleeve NBR	Temp.: -20°C up to +80°C Medium: water, gas, oil, fuel and other hydrocarbons



DN	Clamping range [mm]	Overall length [mm]	PN [bar]	C [mm]	Cast iron [mm]	Old cast iron [mm]	Steel [mm]	PE [mm]	Torque rate [Nm]	Allen head [mm]	Thread M...
40	46 - 53	200	16	142	-	51 - 53	46.0 - 49.0	50	10	17	10
40	53 - 60	200	16	142	56	-	-	-	10	17	10
50	56 - 64	200	16	142	-	62 - 64	56.0 - 61.0	63	10	17	10
50 / 60	63 - 71	200	16	142	66	-	70.0 - 71.0	-	10	17	10
60 / 65	72 - 80	200	16	142	77	72 - 74	72.0 - 76.1	75	10	17	10
65 / 70	76 - 83	200	16	142	82	-	77.0 - 79.0	-	10	17	10
70	82 - 89	200	16	142	87	83 - 85	-	-	10	17	10
80	88 - 98	200	16	142	98	94 - 96	88.0 - 89.0	90	10	17	10
90	97 - 108	200	16	142	108	104 - 108	97.0 - 102.0	-	10	17	10
100	108 - 118	200 / 300	16	142 / 245	118	114 - 116	107.0 - 114.3	110/125	10	17	10
100	120 - 130	200 / 300	16	142 / 245	-	123 - 125	-	-	10	17	10
100 / 125	128 - 138	200 / 300	16	142 / 245	-	134 - 137	132.0 - 134.0	-	10	17	10
125	139 - 149	200 / 300	16	142 / 245	144	140 - 143	139.7	140	10	17	10
135 / 150	150 - 160	200 / 300	16	142 / 245	-	150 - 153	157.0 - 160.0	160	10	17	10

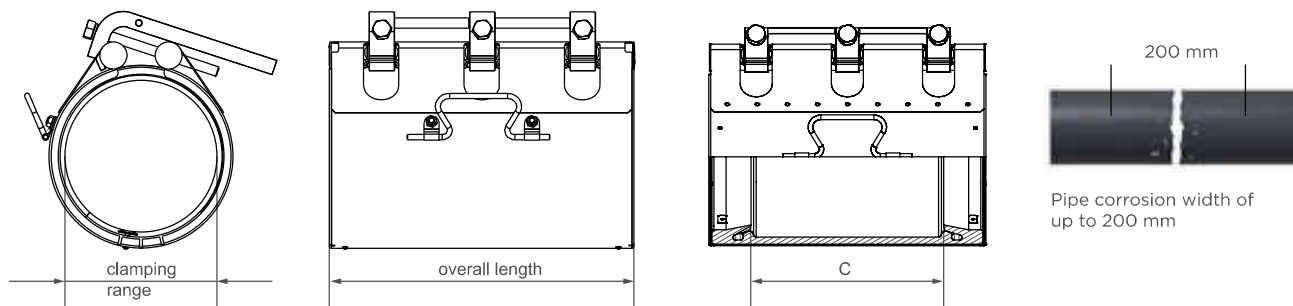
CONTINUOUSLY VARIABLE INTERMEDIATE SIZES ON REQUEST

Remarks:

- Follow fitting instructions
- Test pressure = PN x 1.5
- Assembly on pipes can be of various materials

Components	Materials
Jacket sheet	AISI 304
Bolts	AISI 304
Bars	AISI 304

Sealing sleeve EPDM	Temp.: -20°C up to +100°C Medium: all qualities of water, waste water, air, solids and chemical products
Sealing sleeve NBR	Temp.: -20°C up to +80°C Medium: water, gas, oil, fuel and other hydrocarbons



DN	Clamping range [mm]	Overall length [mm]	PN [bar]	C [mm]	Cast iron [mm]	Old cast iron [mm]	Steel [mm]	PE [mm]	Torque rate [Nm]	Allen head [mm]	Thread M...
150	159 - 170	300	16	212	170	166 - 169	168.3	160	20	19	12
165	175 - 185	300	16	212	-	180 - 184	-	-	20	19	12
175	186 - 196	300	16	212	196	191 - 194	183.0 - 191.0	-	20	19	12
175 / 180	196 - 206	300	16	212	-	198 - 200	-	200	20	19	12
190 / 200	206 - 216	300	16	212	-	208 - 211	211.0 - 216.0	-	20	19	12
200	216 - 226	300	16	212	222	218 - 222	219.1	225	20	19	12
225	241 - 251	300	16	212	248	244 - 247	241.0	250	20	19	12
250	264 - 274	300	16	212	274	268 - 273	264.0 - 273.0	-	20	19	12
250	274 - 284	300	16	212	-	-	-	280	20	19	12
300	315 - 325	300	10	212	324	322 - 325	316.0 - 323.9	315	20	19	12
350	355 - 365	300	10	212	-	-	355.6	355	20	19	12
350	368 - 379	300	10	212	378	376 - 379	368.0	-	20	19	12
400	398 - 408	300	10	212	-	-	406.4	400	20	19	12
400	419 - 429	300	10	212	429	426 - 430	419.0	-	20	19	12

CONTINUOUSLY VARIABLE INTERMEDIATE SIZES AND BIGGER DIAMETERS ON REQUEST

Remarks:

- Follow fitting instructions
- Test pressure = PN x 1.5
- Assembly on pipes can be of various materials