

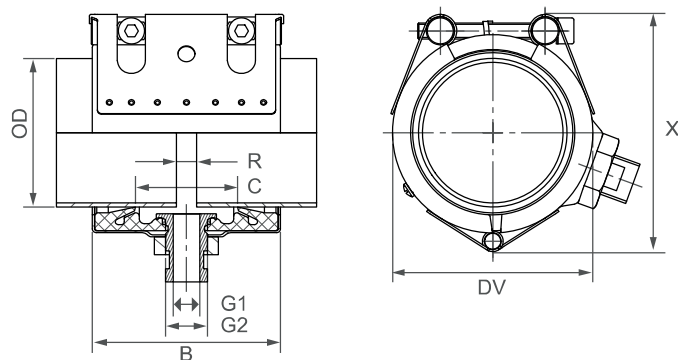
STRAUB-OPEN-FLEX 1 GT

Ø 73.0 - 168.3 mm

(with side outlet)

Components / Materials	W1	W2	W4	W5
Casing		AISI 316 L or similar		AISI 316 L or similar
Bolts		AISI 4135		A4 - 80
Bars		AISI 12L14, galvanised		AISI 316 L

Sealing sleeve	Temp.: -20°C up to +70°C
EPDM	Medium: all qualities of water, waste water, air, solids and chemical products
Sealing sleeve	Temp.: -20°C up to +70°C
NBR	Medium: water, gas, oil, fuel and other hydrocarbons



OD [mm]	Clamping range [mm]	PN [bar]	B [mm]	C [mm]	DV [mm]	X [mm]	G1 [Zoll]	G2 [Zoll]	Torque rate [Nm]
73.0	71.5 - 74.5	16.0	94	51	95	119	1/4	1/2	10
76.1	74.5 - 77.5	16.0	94	51	98	123	1/4	1/2	10
84.0	82.5 - 85.5	16.0	94	51	106	131	1/4	1/2	10
88.9	87.5 - 90.5	16.0	94	51	111	136	1/4	1/2	10
100.6	99.0 - 102.5	16.0	94	51	123	148	1/4	1/2	10
101.6	100.0 - 103.5	16.0	94	51	124	148	1/4	1/2	10
104.0	102.5 - 105.5	16.0	94	51	126	152	1/4	1/2	10
104.8	103.0 - 106.5	16.0	94	51	127	152	1/4	1/2	10
108.0	106.5 - 109.5	16.0	94	51	130	156	1/4	1/2	10
114.3	112.5 - 116.0	16.0	94	51	136	162	1/4	1/2	10
118.0	116.0 - 120.0	16.0	94	51	140	166	1/4	1/2	10
127.0	125.0 - 129.0	16.0	107	62	149	179	3/4	1	12
129.0	127.0 - 131.0	16.0	107	62	151	181	3/4	1	12
130.2	128.5 - 132.0	16.0	107	62	152	181	3/4	1	12
133.0	131.0 - 135.0	16.0	107	62	155	189	3/4	1	12
139.7	138.0 - 141.5	16.0	107	62	162	192	3/4	1	12
141.3	139.5 - 143.0	16.0	107	62	163	192	3/4	1	12
154.0	152.0 - 156.0	16.0	107	62	176	207	3/4	1	12
159.0	157.0 - 161.0	16.0	107	62	181	212	3/4	1	12
168.3	166.0 - 170.5	16.0	107	62	190	225	3/4	1	12

Remarks:

- Follow fitting instructions
- PN = working pressure considering the application loads
Test pressure = PN x 1.5 (for example industry, water supply etc.)
- Strip inserts not to be applied
- Not suitable for vacuum applications
- Additional sealing sleeves, pressure and temperature ranges on request

MV Fluids Handling, Marven House, 1 Field Road, Reading, RG1 6AP

Tel: +44 (0)118 9503707 - Fax: +44 (0)118 9504066 - info@straub.co.uk - www.straub.co.uk

Typing errors may occur. Technical details are subject to change.

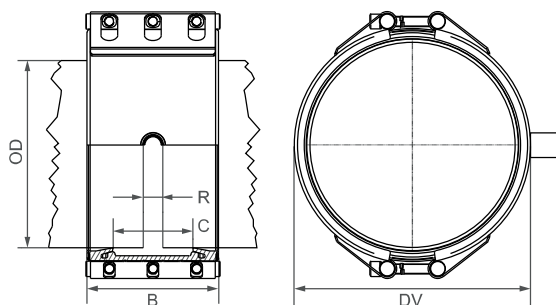
STRAUB-OPEN-FLEX 2 GT

ø 172.0 - 2032.0 mm

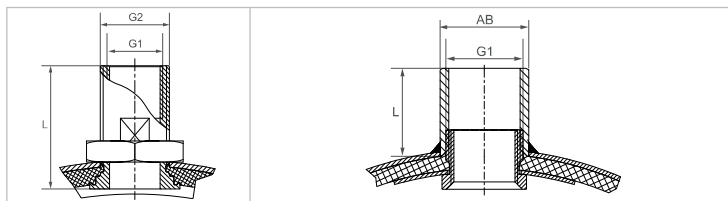
(with side outlet)

Components / Materials	W1	W2	W4	W5
Casing	S355MC, hot-dip galvanised	AISI 316 L or similar		AISI 316 L or similar
Bolts	AISI 4135	AISI 4135		A4 - 80
Bars	AISI 12L 14, galvanised	AISI 12L 14, galvanised		AISI 316 L or similar
Strip insert (on request)	AISI 316 L / HDPE	AISI 316 L / HDPE		AISI 316 L / HDPE
GT side outlet	AISI 316 L	AISI 316 L		AISI 316 L

Sealing sleeve EPDM	Temp.: -20°C up to +100°C			
	Medium: all qualities of water, waste water, air, solids and chemical products			
Sealing sleeve NBR	Temp.: -20°C up to +80°C			
	Medium: water, gas, oil, fuel and other hydrocarbons			
Sealing sleeve FPM/FKM	Temp.: -20°C up to +180°C			
	Medium: ozone, oxygen, acids, gas, oil and fuel (only with stainless steel strip insert)			



DV ⇔ OD + 27 mm
 C ⇔ 91 mm
 R with strip insert ⇔ 35 mm
 R without strip insert ⇔ 10 mm



G1	G 1/4"	G 3/4"	G 1"	G 1 1/2"	G 1 1/2"	G 2"
G2 / AB	G 1/2"	G 1"	39.5 mm	48.3 mm	54.5 mm	66.3 mm
L			43.0 mm	48.0 mm	48.0 mm	56.0 mm

OD [mm]	Clamping range [mm]	PN						version 1 screwed	version 2 screwed	version 3 welded	version 4 welded	version 5 welded	version 6 welded
		2.5	6	10	16	20	25						
172.0	170 - 174							x	x				
180.0	178 - 182							x	x	x			
200.0	198 - 202							x	x	x			
219.1	217 - 222							x	x	x			
250.0	248 - 253							x	x	x			
267.0	264 - 270							x	x	x			
273.0	270 - 276							x	x	x	x		
304.0	301 - 307							x	x	x	x		
323.9	321 - 327							x	x	x	x		
355.6	353 - 358							x	x	x	x		
406.4	404 - 409							x	x	x	x	x	
457.2	454 - 460							x	x	x	x	x	
508.0	505 - 511							x	x	x	x	x	
558.8	556 - 562							x	x	x	x	x	x
609.6	606 - 613							x	x	x	x	x	x
711.2	708 - 715							x	x	x	x	x	x
762.0	758 - 766							x	x	x	x	x	x
812.8	809 - 817							x	x	x	x	x	x
914.4	910 - 918							x	x	x	x	x	x
1016.0	1012 - 1020							x	x	x	x	x	x
1117.6	1114 - 1122							x	x	x	x	x	x
1219.2	1215 - 1224							x	x	x	x	x	x
1320.8	1316 - 1325							x	x	x	x	x	x
1422.4	1418 - 1427							x	x	x	x	x	x
1524.0	1519 - 1529							x	x	x	x	x	x
1600.0	1595 - 1605							x	x	x	x	x	x
1625.6	1621 - 1631							x	x	x	x	x	x
1727.2	1722 - 1732							x	x	x	x	x	x
1828.8	1824 - 1834							x	x	x	x	x	x
1930.4	1925 - 1935							x	x	x	x	x	x
2032.0	2027 - 2037							x	x	x	x	x	x

CONTINUOUSLY VARIABLE INTERMEDIATE SIZES FROM 172.0 TO 2032.0 mm ARE AVAILABLE
 STRAUB-OPEN-FLEX 3 GT, 3.5 GT AND 4 GT WITH OUTLET G3/4"/1" AVAILABLE AS WELL

Remarks:

- Follow fitting instructions
- PN = working pressure considering the application loads
 Test pressure = PN x 1.5 (for example industry, water supply etc.)
- Version 1 + 2 with outside- and inside thread
- Version 3 - 6 with inside thread and outside blank (AB)
- Only in two-piece version available

Typing errors may occur. Technical details are subject to change