

# FIRE RESISTANT & SAFE

## STRAUB-FIRE-FENCE

The original STRAUB fire protection system for applications where fire protection is required.



- Outside diameter: 26.9 up to 457.2 mm
- Temperature: -30°C up to +180°C
- Sealing sleeve: EPDM, NBR, FPM/FKM

With ISO 19921 and ISO 19922, the STRAUB-FIRE-FENCE types meet the highest global standardised requirements for fire and temperature tests.

STRAUB FIRE-FENCE is the optimum solution for fire extinguishing equipment and for many different systems with increased fire protection requirements such as in civil engineering (tunnels), for shipyards for seagoing vessels with various requirements and other applications.

The STRAUB-FIRE-FENCE system is based on the standard types of the STRAUB-GRIP and STRAUB-FLEX series. An intumescent plastic is also firmly bonded to the outside of the casing. In the event of fire, this swells and protectively encloses the pipe coupling - and retains the complete functional capability in doing so.

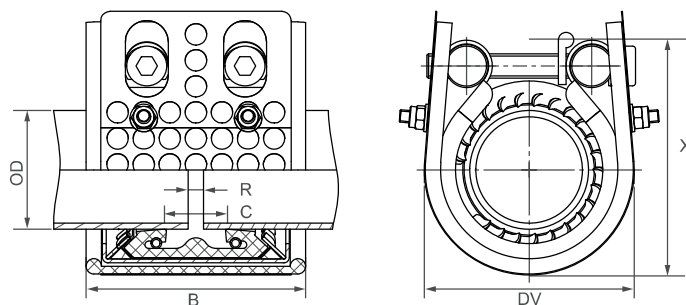


Thus all advantages of the STRAUB pipe couplings are combined with fire protection and give the user a simple, space-saving, state-of-the-art pipe connection.



Already installed STRAUB couplings can be easily and quickly converted to the STRAUB-FIRE-FENCE variant using the separately available retrofit kit; available for the STRAUB-GRIP, STRAUB-METAL-GRIP and STRAUB-FLEX product groups.

Components / Materials	W1	W2	W4	W5
Casing		AISI 316 L	AISI 316 L	AISI 316 L or similar
Bolts		AISI 4135	A4 - 80	A4 - 80
Bars		AISI 12L14, galvanised	AISI 304	AISI 316 L or similar
Anchoring rings		AISI 301	AISI 301	AISI 301
Strip insert (option)		AISI 316 L or similar / PVDF	AISI 316 L or similar / PVDF	AISI 316 L or similar / PVDF
<b>Sealing sleeve EPDM</b>	Temp.: -30°C up to +100°C Medium: all qualities of water, waste water, air, solids and chemical products			
<b>Sealing sleeve NBR</b>	Temp.: -20°C up to +80°C Medium: water, gas, oil, fuel and other hydrocarbons			



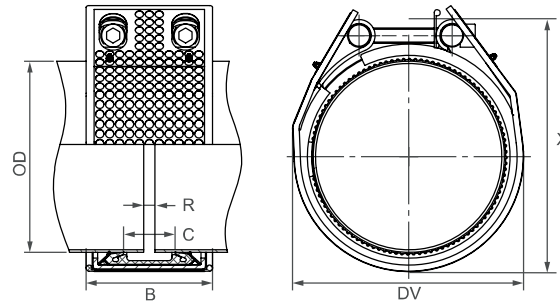
OD [mm]	Clamping range [mm]	PN [bar]	PN [bar]	B [mm]	C [mm]	DV [mm]	X [mm]	R without strip insert [mm]	R with strip insert [mm]	Torque rate [Nm]	Allen head [mm]	Thread M...
30.0	29.5 - 30.5	67.0	16.0	46/67	18	57	61	5	5	10	6	8
33.7	33.2 - 34.2	62.0	16.0	46/67	18	62	68	5	5	10	6	8
38.0	37.5 - 38.5	58.0	16.0	71	19	68	78	5	5 - 10	15	6	8
42.4	41.9 - 42.9	53.0	16.0	71	20	72	81	5	5 - 10	15	6	8
44.5	44.0 - 45.0	48.0	16.0	71	20	74	85	5	5 - 10	15	6	8
48.3	47.8 - 48.8	44.0	16.0	71	20	78	88	5	5 - 10	15	6	8
54.0	53.5 - 54.5	39.0	16.0	87	38	84	94	5	5 - 15	15	6	8
57.0	56.4 - 57.6	37.0	16.0	87	32	87	97	5 - 10	5 - 25	15	6	8
60.3	59.7 - 60.9	37.0	16.0	87	32	87	100	5 - 10	5 - 25	15	6	8
63.5	62.9 - 64.1	37.0	16.0	87	32	94	103	5 - 10	5 - 25	15	6	8
76.1	75.3 - 76.9	56.0	16.0	110	39	110	122	5 - 10	5 - 25	35	8	10
84.0	83.2 - 84.8	45.0	16.0	110	39	122	128	5 - 10	5 - 25	35	8	10
88.9	88.0 - 89.8	41.0	16.0	110	39	127	128	5 - 10	5 - 25	35	8	10
104.0	103.0 - 105.0	37.0	16.0	110	39	143	156	5 - 10	5 - 25	35	8	10
108.0	106.9 - 109.1	35.0	16.0	110	39	143	156	5 - 10	5 - 25	35	8	10
114.3	113.2 - 115.4	34.0	16.0	110	39	149	162	5 - 10	5 - 25	35	8	10
129.0	127.7 - 130.3	33.0	16.0	124	43	170	187	5 - 15	5 - 25	60	10	12
133.0	131.7 - 134.3	33.0	16.0	125	43	170	187	5 - 15	5 - 25	60	10	12
139.7	138.3 - 141.1	32.0	16.0	125	43	178	196	5 - 15	5 - 25	60	10	12
154.0	152.5 - 155.5	32.0	16.0	125	51	196	215	5 - 15	5 - 25	60	10	12
159.0	157.4 - 160.6	31.0	16.0	125	43	197	215	5 - 15	5 - 25	60	10	12
168.3	166.6 - 170.0	29.0	16.0	125	43	210	225	5 - 15	5 - 25	60	10	12
219.1	216.9 - 221.3	26.0	16.0	166	60	269	293	5 - 15	5 - 35	100	14	16

REFER TO MINIMUM WALL THICKNESS (see page 105)

Remarks:

- Follow fitting instructions
- PN (factory icon) = working pressure considering the application loads  
Test pressure = PN (factory icon) x 1.5 (for example industry, water supply etc.)  
PN (ship icon) = nominal pressure, includes four times safety factor (e.g. shipbuilding)
- The pressure values are valid on radial rigid carbon steel pipes under static loads
- Additional sealing sleeves and temperature ranges on request

Components / Materials	W1	W2	W4	W5
Casing	AISI A738, hot-dip galvanised			
Bolts	AISI 4135			
Bars	AISI 12L14, galvanised			
Anchoring rings	AISI 301			
Strip insert (option)	AISI 316 L or similar / PVDF			
<b>Sealing sleeve EPDM</b>	Temp.: -20°C up to +100°C Medium: all qualities of water, waste water, air, solids and chemical products			
<b>Sealing sleeve NBR</b>	Temp.: -20°C up to +80°C Medium: water, gas, oil, fuel and other hydrocarbons			



OD [mm]	Clamping range [mm]	PN [bar]	PN [bar]	B [mm]	C [mm]	DV [mm]	X [mm]	R without strip insert [mm]	R with strip insert [mm]	Torque rate [Nm]	Allen head [mm]	Thread M...
244.5	242.0 - 247.0	27.0	14.0	164	67	300	335	5 - 15	5 - 35	180	17	20
267.0	264.5 - 269.5	24.0	12.0	164	67	322	357	5 - 15	5 - 35	180	17	20
273.0	270.5 - 275.5	21.0	12.0	164	67	328	364	5 - 15	5 - 35	180	17	20
323.9	320.5 - 327.0	18.0	10.0	164	67	379	416	5 - 15	5 - 35	230	17	20
355.6	352.0 - 359.0	17.0	8.0	164	67	411	449	5 - 15	5 - 35	230	17	20
406.4	402.5 - 410.5	14.0	8.0	164	67	461	499	5 - 15	5 - 35	230	17	20
457.2	452.5 - 462.0	8.0	6.0	164	67	512	551	5 - 15	5 - 35	250	17	20

**REFER TO MINIMUM WALL THICKNESS (see page 105)**

**Remarks:**

- Follow fitting instructions
- PN (factory icon) = working pressure considering the application loads  
Test pressure = PN (factory icon) x 1.5 (for example industry, water supply etc.)  
PN (ship icon) = nominal pressure, includes four times safety factor (e.g. shipbuilding)
- The pressure values are valid on radial rigid carbon steel pipes under static loads
- Strip inserts are optional accessories (see page 87)
- Additional sealing sleeves and temperature ranges on request